



SITI S.p.A. - Società Italiana Trasmissioni Industriali

Via G.Di Vittorio, 4 - 40053 - Valsamoggia Loc. Monteveglio (BO) - ITALY

Tel.+390516714811 - Fax.+390516714858

www.sitiriduttori.it - Email: info@sitiriduttori.it

2022-10-05#24211

GEAR UNIT CAD CONFIGURATION

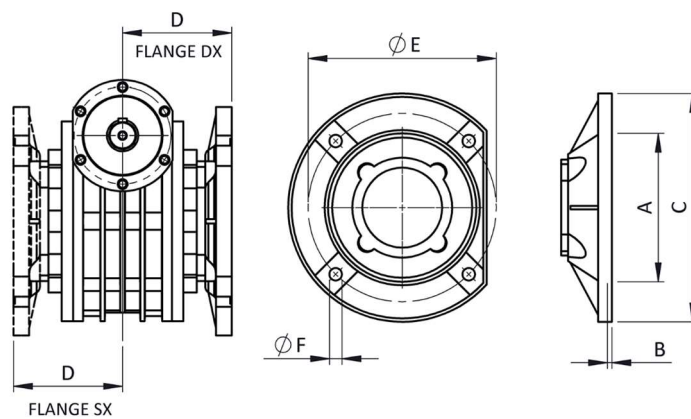
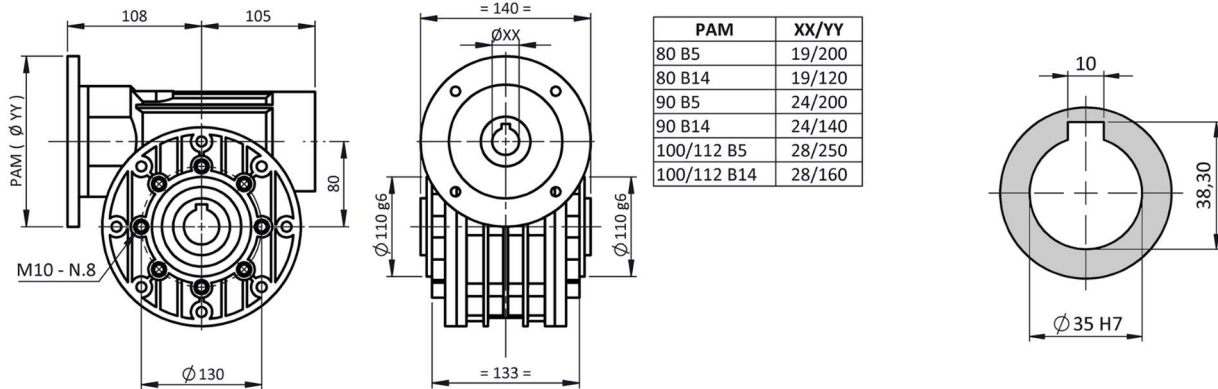
TECHNICAL DATA

TYPE	MI	RATIO	15
SIZE	80	FREQUENCY [Hz]	50Hz
RATIO	15	INPUT SPEED [rpm]	1400
DOUBLE EXTENDED WORM SHAFT	NO	OUTPUT SPEED [rpm]	93,3
PAM	PAM90B5	INPUT POWER [kW]	2,2
HOLLOW OUTPUT SHAFT	D.35	OUTPUT TORQUE [Nm]	189
FIXING	OUTPUT FLANGE	EFFICIENCY	0,84
VERSION	FBR - POSITION DX	SERVICE FACTOR	1,34
MOUNTING POSITION	B5		

ACCESSORIES

OPTIONAL

MOUNTED ELECTRIC MOTOR	NO	ATEX	NO
TORQUE LIMITER	NO	LUBRICANT	LONG LIFE SYNTHETIC OIL ISO VG 320
TORQUE ARM	NO		
SOLID OUTPUT SHAFT	NO		



TYPE	A	B	C	D	E	F
F	$\varnothing 130\ H7$	5	$\varnothing 200$	120	165	11,5
FBR	$\varnothing 110\ H8$	5	$\varnothing 160$	100	130	11,5
FBM	$\varnothing 152\ H8$	6	$\varnothing 210$	110,5	175	14
FBF	$\varnothing 130\ H8$	6	$\varnothing 200$	109	165	14



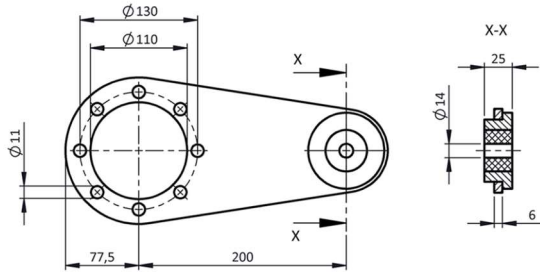
SITI S.p.A. - Società Italiana Trasmissioni Industriali

Via G. Di Vittorio, 4 - 40053 - Valsamoggia Loc. Monteveglio (BO) - ITALY

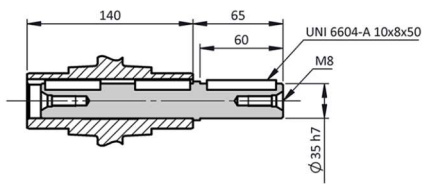
Tel. +390516714811 - Fax. +390516714858

www.sitiriduttori.it - Email: info@sitiriduttori.it

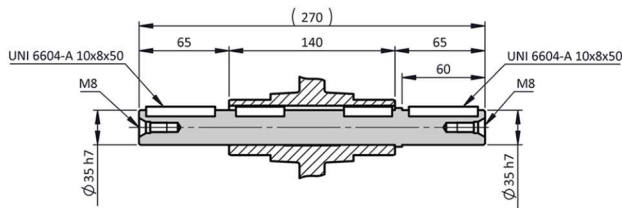
AVAILABLE ACCESSORIES



TORQUE ARM



SINGLE EXTENDED OUTPUT SHAFT



DOUBLE EXTENDED OUTPUT SHAFT

